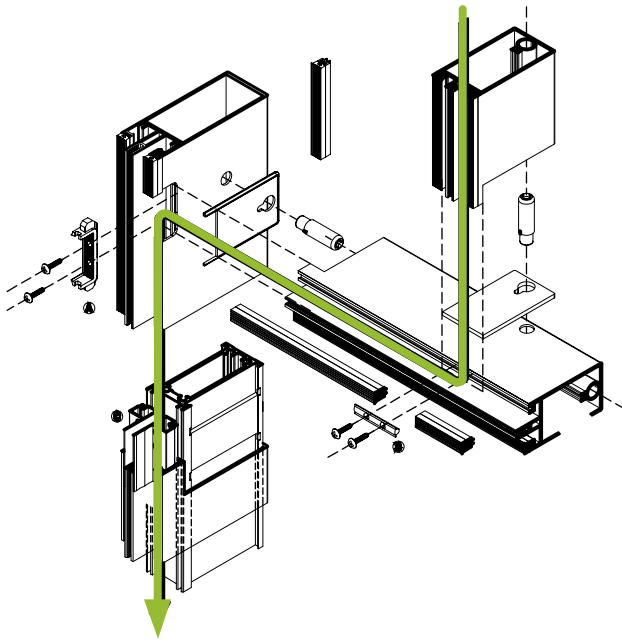




CURTAIN WALL  
SYSTEM

**ETEM**

# HIGHLY FLEXIBLE SYSTEM FOR CURTAIN WALLS INCLUDING CONSTRUCTION OF ROOFS, CUPOLAS, ATRIUMS, PYRAMIDS AND CONSERVATORIES



## DETAILS

50 mm system width

Easy production and rapid installation onsite

Highest structural stability achieved with lowest weight of profiles

Reliable T - Brackets available in a big variety of shapes

Excellent drainage of the system in two tiers

# E85

CURTAIN WALL  
SYSTEM

## DESIGN

WIDE VARIETY OF PROFILES

SOLUTIONS FOR STRUCTURAL AND  
COVER CAP VISION

BIG RANGE OF ASSEMBLY OPTIONS

## MAIN ADVANTAGES

---

Structural Vents

---

Compatible with all ETEM window systems

---

Custom designed solution for conservatories

---

Easy to install sun protection panels in front of the  
façade (smart façade)

---

QUALICOAT certified powder coating

---

